



WESTERN RED CEDAR

1X4 & 1X6 San Signature Engineered Fine Line & Micro V Siding

SUPERIOR PRICING, STABILITY & LENGTHS

- Controlled in house manufacturing process
- 100% Western Red Cedar
- Interior & Exterior Application
- Fine grain veneer on finger jointed & edge glued core
- 100% Renewable Resource
- Rated for use in sauna

10 Year Manufacturers Warranty



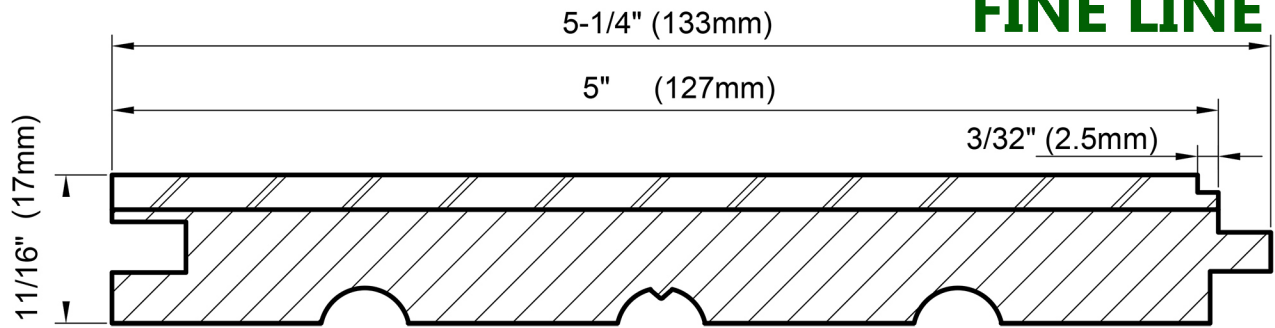
25583- 88th Avenue
Langley, BC, V3M 3N8
Canada

signature@sangroupinc.com



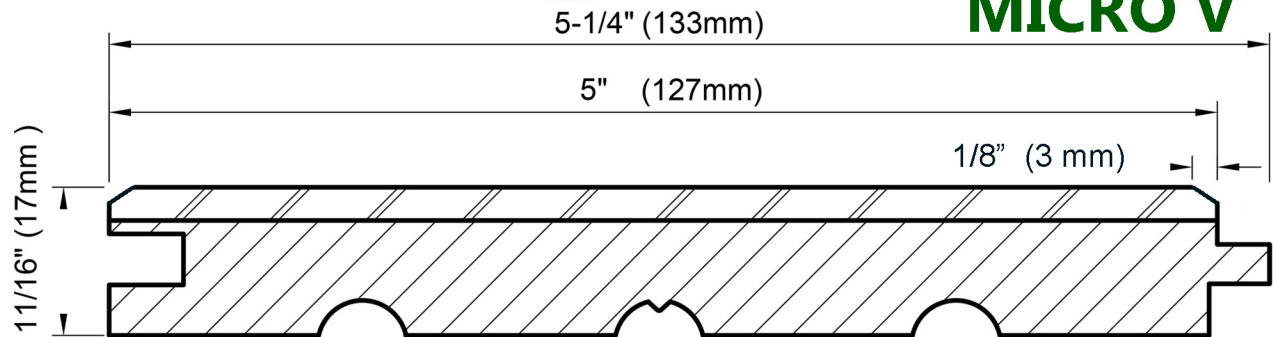
Signature

**1 X 6
FINE LINE**



Signature

**1 X 6
MICRO V**



PRODUCT NAME: SIGNATURE ENGINEERED	THICKNESS: 11/16" (17mm)	HEIGHT : 5 BUNDLES
SPECIES: WESTERN RED CEDAR	WIDTH: 5 1/4"	WIDTH: 8 BUNDLES
GRADE: CLEAR VERTICAL GRAIN	FINISH COVERAGE: 5" (127MM)	PIECES PER BUNDLE: 6
FACE: SOLID CVG VENEER	LENGTH: 6 - 16' EVEN ONLY	PAPER WRAP / BOX : PAPER WRAP CARDBOARD SIDE & TOP
BACKING: EDGE GLUED/ FINGER JOINTED	TRIM BACKS: 3', 4', 5,' 6', 7'	FACE PROTECTED: SMOOTH FACE

100% WESTERN RED CEDAR

San Group's Western Red Cedars sustainably harvested in British Columbia. Natural resistance to decay and insects which provides superior durability compared to other species. With unmatched aesthetic beauty and dimensional stability.

Westren Red Cedar is an excellent choice for your interior, exterior or sauna installations.